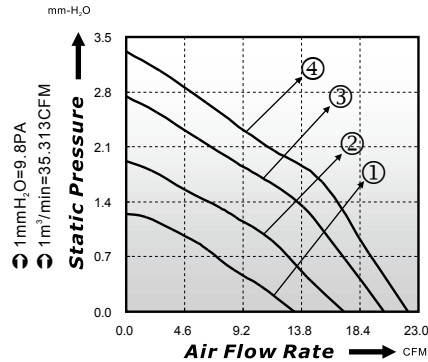


70x70x10mm

Model A

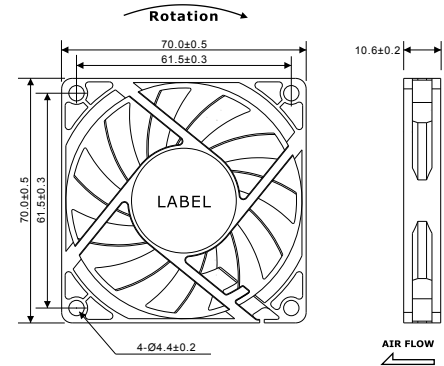


P-Q Curve (At Rated Voltage)



Dimensions Drawing

Unit: (mm)



Model No	Bearing (*)	Rated Voltage (VDC)	Rated Current (A)	Power Consumption (Watts)	Speed (rpm)	Air Flow (CFM)	Static Pressure (mmH ₂ O)	Noise (dBA)	Curve
ED07010-05L*	○ ● ⊖	5	0.35	1.75	2500	13.21	1.25	25.0	1
ED07010-05M*	○ ● ⊖	5	0.40	2.00	3000	17.41	1.92	29.5	2
ED07010-05H*	○ ● ⊖	5	0.50	2.50	3500	20.26	2.74	33.6	3
ED07010-12L*	○ ● ⊖	12	0.25	3.00	2500	13.21	1.25	25.0	1
ED07010-12M*	○ ● ⊖	12	0.30	3.60	3000	17.41	1.92	29.5	2
ED07010-12H*	○ ● ⊖	12	0.35	4.20	3500	20.26	2.74	33.6	3
ED07010-12HH*	○ ● ⊖	12	0.50	6.00	4000	22.21	3.32	37.0	4

* Bearing Type: ○ Sleeve ● Two Ball ⊖ Hydro-Dynamic